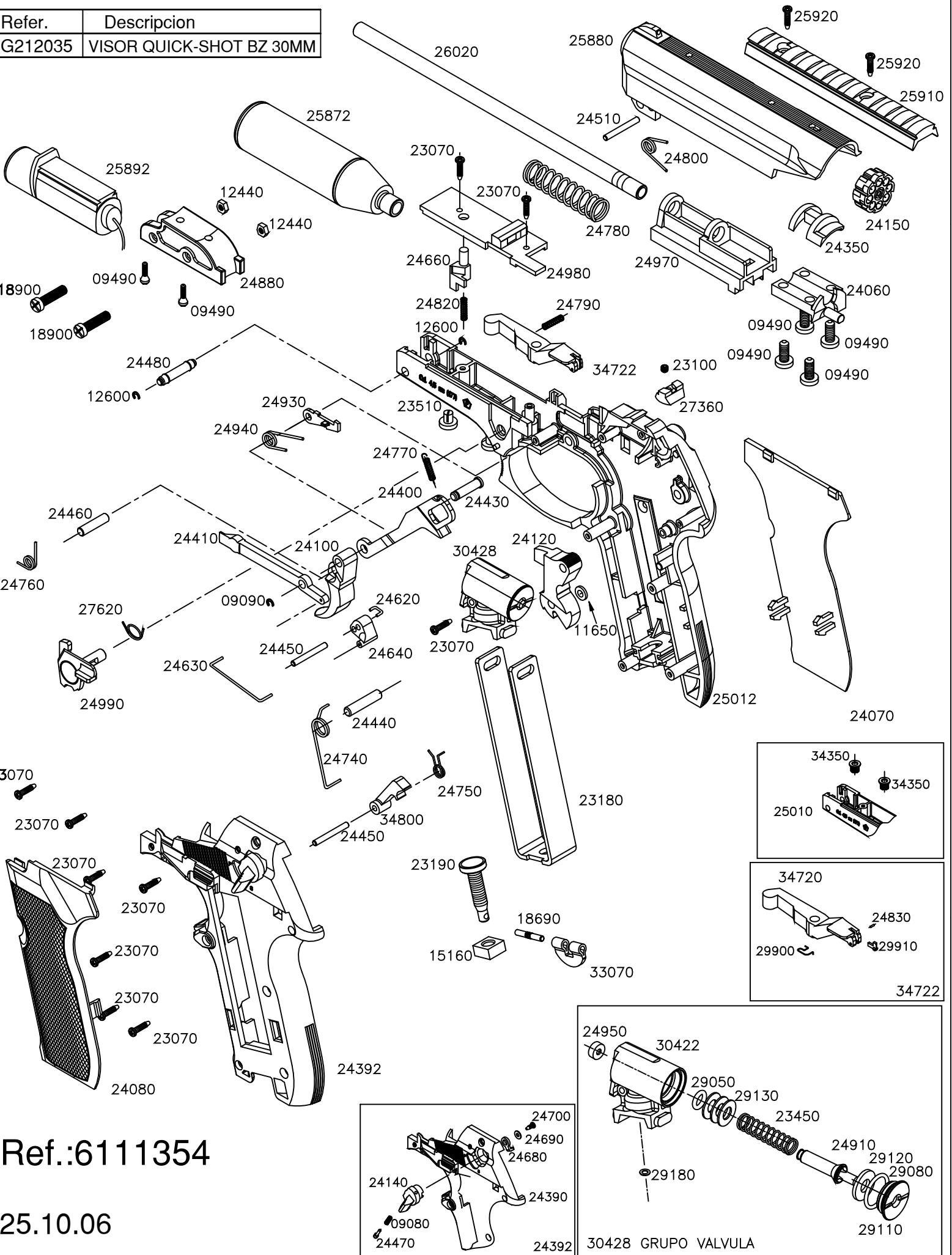


PT-80 TACTICAL



Refer.	Descripcion
G212035	VISOR QUICK-SHOT BZ 30MM



Ref.:6111354

25.10.06