

4.9 Coloque a grade (7) em posição e verifique se está totalmente aberta.

4.10 O fogão está agora pronto para ser utilizado.

## 5. UTILIZAÇÃO DO APARELHO (Fig 2)

- 1 Certifique-se de que a mangueira está completamente desdobrada na direcção da garrafa de gás. Conserve a garrafa de gás afastada do calor gerado pelo fogão durante a sua utilização.
- 2 Rode o botão de ajustamento para a esquerda (2) e ligue imediatamente a boca do gás (8) pressionando o botão do isqueiro. Ajuste a chama, rodando o botão de ajustamento (2).
- 3 Quando o fogão estiver ligado deve ser mantido o mais nivelado possível e não deve ser deslocado. A deslocação do fogão enquanto em funcionamento pode causar incêndio.
- 4 Certifique-se de que o fogão se encontra completamente desligado após cada utilização, rodando o botão da válvula totalmente para a direita. Existirá algum atraso entre o momento em que se desliga a válvula e em que o bico de gás se apaga.
- 5 A distância a manter em relação a material inflamável no tecto ou paredes é de 500 mm no mínimo, CASO CONTRÁRIO há risco de incêndio.
- 6 Se utilizar o fogão com vento forte, deve colocá-lo de modo a que a entrada de ar (13) do fogão esteja virada contra o vento.
- 7 Se vai preparar vários pratos ou se pretende que os alimentos se conservem quentes depois de cozinhados, pode utilizar para esse efeito o saco isotérmico.

**CONSELHO!** A utilização do fogão com tempo frio pode ser afectada por diversos factores que podem ser resolvidos tomando algumas precauções.

Factores que afectam a eficiência do fogão:

- A mistura de gás na garrafa (propano/isobutano/butano)
- A quantidade de gás na garrafa
- A temperatura ambiente
- A temperatura da garrafa de gás

Medidas para melhorar o funcionamento durante o tempo frio:  
- Aqueça a garrafa de gás com as mãos ou com peças de roupa.

## 6. SUBSTITUIR A GARRAFA DE GÁS

- 6.1 Feche a válvula da garrafa de gás rodando completamente o botão (2) para a direita. Certifique-se que o fogão esteja desligado e que não existam chamas nuas ou outras fontes de calor nas proximidades. Desloque o fogão para o exterior e desaperte a válvula da garrafa de gás. Substitua a junta circular da válvula caso esteja gasta ou danificada. Ligue a válvula de acordo com os itens 4.3 e 4.4.

## 7. MANUTENÇÃO (Fig. 5)

- 7.1 Se o fogão não tiver chama ou se esta for muito pequena apesar de estar ligado à garrafa de gás, o bico pode estar entupido.
- 7.2 **Limpar o bico**  
Feche o botão de controlo (2) completamente e desaperte a garrafa de gás (3).
- 7.3 Pressione as molas da grade (10) do fogão e retire o bico.
- 7.4 Solte o parafuso de bloqueio (14) do tubo de mistura (12) e remova a resistência de pré-aquecimento (11).
- 7.5 Desaperte o bico (9) com uma chave de 8 mm.
- 7.6 Limpe o jacto.
- 7.7 Monte o jacto no tubo e aperte-o cuidadosamente para evitar fugas. Não aperte demasiado. Verifique se está completamente estanque, usando água com sabão ou outro líquido semelhante.
- 7.8 Coloque a resistência de pré-aquecimento (12), fixe com o parafuso de bloqueio (14) e fixe novamente a grade (10).

## 8. VERIFICAÇÃO E MANUTENÇÃO

- 8.1 Certifique-se sempre de que as juntas de vedação estão colocadas nos locais correctos e que se encontram em bom estado. Isto deve ser verificado sempre que o aparelho for montado. Substitua as anilhas de vedação caso as mesmas estejam danificadas ou gastas.

## 9. MANUTENÇÃO E REPARAÇÃO

- 9.1 Se não for possível corrigir uma falha através destas instruções, o aparelho deve ser devolvido ao seu fornecedor Primus.
- 9.2 Nunca tente efectuar qualquer outro tipo de trabalho de manutenção ou reparação que não esteja aqui descrito.
- 9.3 Nunca efectue alterações ao aparelho, pois a sua utilização pode tornar-se perigosa.
- 9.4 O fogão foi aprovado com uma mangueira montada na fábrica e esta NÃO deve ser substituída por qualquer outra mangueira, apenas pela 732910.

## 10. PEÇAS SOBRESSELENTES E ACESSÓRIOS

- 10.1 Utilize apenas peças e acessórios originais da Primus. Tenha cuidado ao montar as peças sobresselentes e os acessórios e evite tocar nas partes quentes.
- 10.2 Utilize apenas garrafas de gás PRIMUS 2202, 2206 e 2207 (Mistura de Propano/Isobutano/Butano) para este aparelho.
- 10.3 Peças sobresselentes  
733950 Jacto 0.32 mm  
732440 Junta circular  
732910 Mangueira incluindo válvula  
733960 Dispositivo de ignição piezo com suporte.
- 10.4 Se tiver dificuldade em obter peças sobresselentes ou acessórios, contacte o seu distribuidor local Primus. Visite [www.primus.se](http://www.primus.se)



**3510**  
**PRIMUS**  
**EtaPower™ EF**

Design and Quality  
Primus AB Sweden

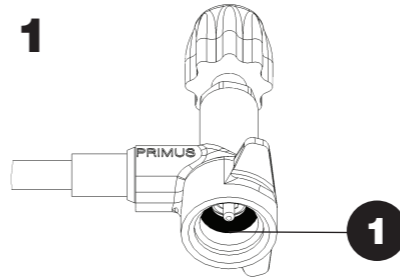
CE -0845-09

Tel: +46 8 564 842 30 ID: 845BP-0057

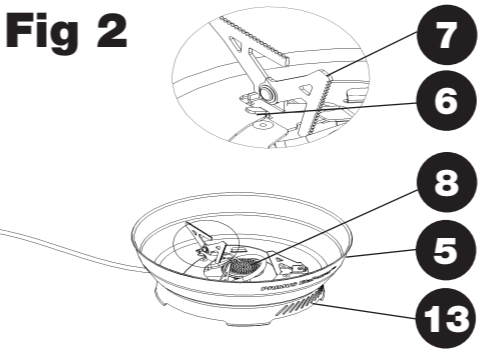
[www.primus.se](http://www.primus.se)



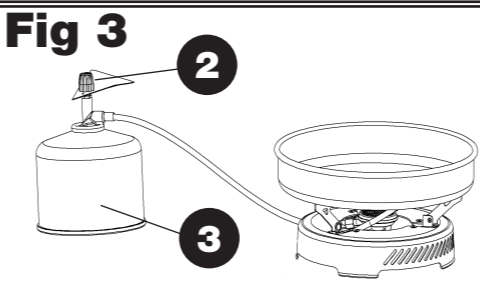
## Fig 1



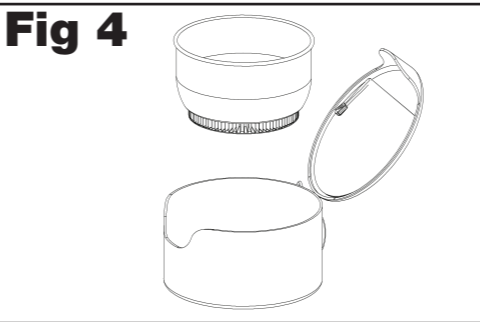
## Fig 2



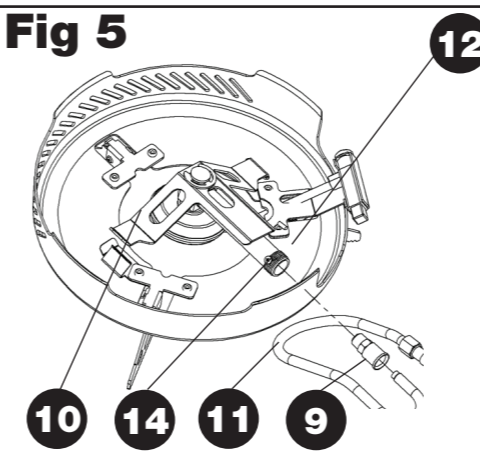
## Fig 3



## Fig 4



## Fig 5



**3510 PRIMUS EtaPower™ EF STOVE**

INSTRUCTIONS FOR USE

**IMPORTANT:** Read these instructions carefully before connecting the gas appliance to the LP gas cartridge, and then study the instructions regularly in order to remember the way the gas appliance works. Keep these instructions for future use: Failure to follow these instructions can result in serious personal injury and death!

**WARNING:** This appliance consumes oxygen and produces carbon dioxide. To avoid extreme danger, do **NOT** use or ignite this appliance in unventilated space, indoors, in a tent, in a vehicle or other enclosed space.

### USE OUTDOORS ONLY!

**NEVER** cover the stove and LP gas cartridge with wind screen, stones or similar, that can cause overheating and damage to the stove and to the LP gas cartridge. Overheating the LP gas cartridge in this way is extremely dangerous. Use the wind screen that accompanies the stove.

### 1. INTRODUCTION

- 1.1 This appliance is intended for PRIMUS PowerGas (Propane/Isobutane/Butane mix) 2202, 2206 and 2207.
- 1.2 Use Primus LP gas cartridges. Connecting this appliance to other types of LP gas cartridge can involve risk.
- 1.3 Gas consumption 160 g/h /7510 BTU/h / approx. 2.2 kW at 1 bar gas pressure.
- 1.4 Size of jet: 0.32 mm, 733950.
- 1.5 The appliance fulfils requirements in accordance with EN 521 and ANSI Z21.72b-2002/CSA1.1.2b-2002.
- 1.6 Avoid subjecting the hose to wear. Make sure that the **HOSE DOES NOT GET TWISTED.**

### 2. ADVICE FOR SAFE USE (Fig 1)

- 2.1 Ensure that the sealing joints of the appliance (1) are in correct position and are in good condition before being connected.
- 2.2 This appliance is only intended for outdoor use. To avoid extreme danger, Do **NOT** use or ignite the appliance in unventilated place, indoors, in a tent, in a vehicle or other enclosed space.
- 2.3 Make sure that no inflammable objects are in the vicinity, as described under Item 5.5.
- 2.4 When connecting and replacing the LP gas cartridge, this must be carried out in a safe place, outdoors, not in the vicinity of any conceivable source of ignition such as naked flame, pilot flame or electric heater. Avoid replacing or connecting up the LP gas cartridge where there are numbers of people.
- 2.5 If the appliance leaks (smell of gas) immediately put it in a well-ventilated place outdoors, not in the vicinity of a source of ignition, where the leak can be inspected and stopped. Checking for leaks may only be carried out outdoors. Checking for leaks must never be carried out using a naked flame. Use soapy water or similar.
- 2.6 Never use an appliance with damaged or worn sealing joints, or a leaking, damaged or badly functioning appliance.
- 2.7 Never leave a lit appliance out of sight.
- 2.8 Make sure that saucepans do not boil dry.

### 3. HANDLING THE APPLIANCE

- 3.1 Do not touch the hot parts of the appliance during or directly after use.
- 3.2 Storage: Always unscrew the LP gas cartridge from the appliance when it is not being used. Keep the cartridge in a dry, safe place, where there are no sources of heat. Avoid solar radiation.
- 3.3 Do not misuse the appliance or use it for other purposes than those for which it is intended.
- 3.4 Handle the appliance carefully. Do not drop it.

### 4. ASSEMBLING THE APPLIANCE (Fig 2)

- 4.1 Make sure that the valve (2) is closed (maximum clockwise).
- 4.2 Keep the LP gas cartridge (3) upright when connecting it to the valve.
- 4.3 Connect the valve to the LP gas cartridge carefully. Make sure the screws are not cross-threaded. Tighten until the O-ring of the valve meets the LP gas cartridge. Only tighten by hand.
- 4.4 Ensure that the connection is leak-proof. Check for any leaks outdoors. Use soapy water or similar. Never use a naked flame when checking for leaks. If using soapy water, any leak will show itself as small bubbles at the point of leakage. If you are unsure, or can hear or smell gas, never light the appliance. Unscrew the LP gas cartridge and contact your local Primus retailer.  
**With EtaPower pots (Fig. 2)**
- 4.5 Place the wind screen (5) over the burner (4) and twist it a quarter turn so that it locks into place under the base plate holder (6). **Windscreen to be used with Eta-pot only!**
- 4.6 Twist the pot supports (7) into place.
- 4.7 The stove is now ready for use.

### With a frying pan or large pots (Fig. 3)

- 4.8 Place the burner (4) on the base and make sure it is stable.
- 4.9 Twist the pot supports (7) into place and make sure they are fully extended.
- 4.10 The stove is now ready for use.

### 5. USE OF THE APPLIANCE (Fig 2)

- 5.1 Ensure that the hose is fully pulled out towards the LP gas cartridge. Keep the LP gas cartridge away from heat that radiates from the stove when in use.
- 5.2 Turn the burner valve counterclockwise (2) and ignite the burner (8) immediately by pressing the ignition button. Adjust the flame by turning the burner valve (2).
- 5.3 **When the stove is burning it should be kept as level as possible and must not be moved around.** Moving the stove while in use can cause it to flare up.
- 5.4 Ensure that the stove is turned off completely after use by turning the valve knob clockwise as far as it will go. There will be some delay between turning the valve off and the burner going out.
- 5.5 The distance to inflammable material in ceiling and walls must be at least 500 mm, **OTHERWISE** they can catch fire.
- 5.6 If the stove is being used in heavy wind, it should be situated such that the burner's air intake (13) is turned to face into the wind.
- 5.7 If you are preparing several dishes, or if you want to pick up the pot right after cooking, the insulated storage bag works great as a potholder or to keep the pot warm until you are ready to eat.

**ADVICE!** The use of LP gas in cold weather is affected by a number of factors which can be remedied with a number of measures.

Factors that affect the efficiency of the stove:

- The mixture of gas in the LP gas cartridge (propane/isobutane/butane)
- The quantity of LP gas in the cartridge
- The surrounding temperature
- The temperature of the LP gas cartridge

Measures which improve function during cold weather:  
- Warm the LP gas cartridge with your hands or under clothing.

### 6. CHANGING THE LP GAS CARTRIDGE

- 6.1 Close the valve on the LP gas cartridge by turning the knob (2) clockwise as far as it will go. Make sure that the stove goes out and that no other naked flame or source of ignition is in the vicinity. Move the stove outdoors and unscrew the valve from the LP gas cartridge. Replace the valve's O-ring if it is worn or damaged. Connect the valve in accordance with items 4.3 and 4.4.

### 7. MAINTENANCE (Fig. 5)

- 7.1 If the stove does not burn or burns with reduced power despite fuel being in the LP gas cartridge, the nozzle may be blocked.
- 7.2 **Cleaning the nozzle**  
Close the control knob (2) completely and unscrew the LP gas cartridge (3).
- 7.3 Squeeze the spring-loaded burner holder (10) and remove the burner.
- 7.4 Loosen the clamp screw (14) on the injector tube (12) and remove the preheating coil (11).
- 7.5 Unscrew the jet (9) with an 8 mm open-end wrench.
- 7.6 Clean the jet.
- 7.7 Mount the jet on the pipe and make it leak-proof by tightening it carefully. Do not tighten too hard. Check that it is leak-proof with soapy water or similar.
- 7.8 Place the preheating coil in the injector tube (12), fasten it with the clamp screw (14), and reattach the burner holder (10).

### 8. CHECKING AND MAINTENANCE

- 8.1 Always make sure that the sealing joints are located in the correct places and are in good condition. This should be checked every time the appliance is assembled. Replace sealing joints if they are damaged or worn. New sealing joints can be purchased from you nearest Primus retailer.

### 9. SERVICE AND REPAIR

- 9.1 If it is not possible to rectify a fault by following these instructions, the appliance should be returned to your nearest Primus retailer.
- 9.2 Never try to carry out any other maintenance or repair work than that which is described here.
- 9.3 Never make any alterations to the appliance, as it may then be dangerous to use.
- 9.4 The stove has been approved with a factory-mounted hose, and this must **NOT** be replaced with any other hose than the genuine hose 732910.

### 10. SPARE PARTS AND ACCESSORIES

- 10.1 **Only use genuine Primus spare parts and accessories.** Take care when assembling spare parts and accessories, and avoid touching hot parts.
- 10.2 **Only use PRIMUS PowerGas LP gas cartridges 2202, 2206 and 2207 (Propane/Isobutane/Butane mix) for this appliance.**
- 10.3 **Spare parts**  
733950 Jet 0.32 mm  
732440 O-ring  
732910 Hose including valve  
733960 Piezo ignitor with holder
- 10.4 **If you have difficulty in obtaining spare parts or accessories, contact your local Primus distributor. Visit [www.primus.se](http://www.primus.se)**

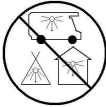
Primus  
was here!


Where have you been?  
[www.primus.se](http://www.primus.se)





<b>FOR YOUR SAFETY</b> If you smell gas
<ol style="list-style-type: none"><li>Do not attempt to light appliance.</li> <li>Extinguish any open flame.</li> <li>Disconnect from fuel supply.</li></ol>


<b>FOR YOUR SAFETY</b>
Do not store or use gasoline or other liquids with flammable vapours in the vicinity of this or any other appliance.

<b>DANGER</b>	<b>CARBON MONOXIDE HAZARD</b>
	This appliance can produce carbon monoxide which has no odor. Using it in an enclosed space can kill you. Never use this appliance in an enclosed space such as a camper, tent, car or home.

	Keep stove area clear and free from combustible materials, gasoline and other flammable vapors and liquids.
---	---

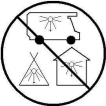
	See too that no obstruction of combustion or ventilation occur.
---	---


	See too that the flame on the appliance is steady. The flame shall always leave the stove straight upwards. Note! Wind may press the flame down under the burner, if that happens stop the stove immediately and move it to a wind protected area.
---	--


	When the stove is in storage, the gas canister has to be disconnected.
---	--


<b>FR</b>
<b>POUR VOTRE SÉCURITÉ</b> <i>Que faire si vous sentez du gaz<span> </span>:</i>
<ol style="list-style-type: none"><li>Ne pas tenter d’allumer l’appareil.</li> <li>Éteindre toute flamme.</li> <li>Couper l’alimentation en gaz à la source.</li></ol>


<b>POUR VOTRE SÉCURITÉ</b>
Ne pas entreposer ni utiliser d’essence, ni d’autres liquides dont les vapeurs sont inflammables, à proximité du présent appareil ou de tout autre appareil.

<b>DANGER</b>	<b>OXYDE DE CARBONE</b>
	Le présent appareil peut produire de l’oxide de carbone, un gaz inodore. L’utilisation de l’appareil dans un espace clos peut entraîner la mort. Ne jamais utiliser l’appareil dans un espace clos comme un véhicule de camping, une tente, une automobile ou une maison.

	Écarter de la zone du réchaud tout matériel combustible, essence et autres vapeurs et liquides inflammables.
---	--

	Veiller à ce qu’il n’y ait pas d’obstruction à la combustion ni à la ventilation.
---	---

	Veiller à ce que la flamme de l’appareil soitstable. La flamme devrait toujours jaillir verticalement du réchaud. Attention! Le vent peut rabattre la flamme sous le brûleur. Si cela se produit,arrêter le réchaudimmédiatement et le déplacer dans un endroit à l’abri du vent.
---	---

	Lors de l’entreposage du réchaud, la cartouche de gaz doit en être séparée.
---	---

<b>FR</b>	<b>3510 RÉCHAUD PRIMUS EtaPower™ EF</b>
	NOTICE D’UTILISATION

<b>IMPORTANT<span> </span>:</b> Lisez avec attention ces instructions avant de raccorder l’appareil à la cartouche de GPL et consultez-les souvent par la suite afin de bien vous familiariser avec le fonctionnement du réchaud. Conservez ces instructions afin de pouvoir les consulter par la suite. <b>Le non-respect</b> de ces instructions peut entraîner des blessures graves, voire mortelles <span> </span> !
--

**AVERTISSEMENT :** Cet appareil consomme de l’oxygène et produit du monoxyde de carbone. **Pour éviter tout danger extrême, ÉVITEZ** d’utiliser ou d’allumer cet appareil dans des endroits mal ventilés, au sein de bâtiments, de locaux, dans une tente, un véhicule ou dans tout autre type d’espace clos.

**POUR USAGE A L’AIR LIBRE UNIQUEMENT !**

Ne recouvrez **JAMAIS** le réchaud ou la cartouche de GPL d’un pare-feu, de pierres ou d’autres objets similaires susceptibles d’entraîner une élévation de température excessive ou de provoquer des dommages quelconques au réchaud ou à la bouteille de gaz. **Une telle élévation** de température de la cartouche de GPL peut avoir des conséquences extrêmement graves. **Utilisez le pare-feu fourni avec le réchaud.**

- INTRODUCTION**
  - Cet appareil est conçu pour utiliser les cartouches de gaz PRIMUS PowerGas (mélange de propane/iso-butane/butane) 2202, 2206 et 2207.
  - Utilisez des cartouches de gaz Primus. Le fait de brancher l’appareil sur des cartouches de gaz d’un type différent peut comporter un risque.
  - Consommation de gaz 160 g/h / 7510 BTU/h / environ 2,2 kW avec une pression de gaz de 1 bar.
  - Dimensions de l’embout du gicleur : 0,32 mm, 733950.
  - L’appareil satisfait aux exigences des normes EN 521 et ANSI Z21.72b-2002/CSA11.2b-2002.
  - Évitez de soumettre le tuyau à des contraintes inutiles. Vérifiez que le **TUYAU N’EST PAS TORDU**.

- RECOMMANDATION POUR UN USAGE EN TOUTE SÉCURITÉ (Fig. 1)**
  - Avant d’effectuer la connexion, vérifiez que les joints d’étanchéité (1) de l’appareil sont installés au bon endroit et qu’ils sont en bon état.
  - Cet appareil a été exclusivement conçu pour une utilisation en plein air. Pour éviter tout danger extrême, **ÉVITEZ** d’utiliser ou d’allumer cet appareil dans des endroits mal ventilés, au sein de bâtiments, de locaux, dans une tente, un véhicule ou dans tout autre type d’espace clos.
  - Vérifiez qu’aucun objet inflammable ne se trouve à proximité de l’appareil, conformément aux termes du point 5.5.
  - Retirez et changez la cartouche de GPL à l’air libre et dans un endroit sûr,** éloigné de toute source de chaleur de type flamme nue, veilleuse ou chauffage électrique. Évitez de changer ou de brancher la cartouche de GPL dans des endroits très fréquentés. Si vous détectez une fuite dans l’appareil (odeur de gaz), transportez-le immédiatement dans un endroit bien ventilé et à l’air libre, éloigné de toute source de chaleur, où vous pourrez examiner et réparer la fuite. La recherche de fuites ne doit s’effectuer qu’à l’air libre. La recherche de fuites ne s’effectuera jamais à la lumière d’une flamme nue. Utilisez de l’eau savonneuse ou un autre liquide similaire pour ce faire. N’utilisez en aucun cas un appareil dont les joints sont endommagés ou usés. Évitez également d’utiliser un appareil présentant des fuites, abîmé ou ne fonctionnant pas correctement.
  - Ne laissez jamais le réchaud allumé sans surveillance.
  - Veillez à ne pas trop chauffer les casseroles, de peur que le liquide qu’elles contiennent ne s’évapore complètement.

- MANIPULATION DE L’APPAREIL**
  - Évitez de toucher les parties brûlantes de l’appareil en cours de fonctionnement ou immédiatement après celui-ci.
  - Entreposage : Retirez toujours la cartouche de GPL lorsque l’appareil est hors service. Entrepozez la cartouche dans un endroit sec et protégé, loin de toute source de chaleur. Évitez de l’exposer à la lumière directe du soleil.
  - N’utilisez l’appareil que pour la fin pour laquelle il a été conçu.
  - Manipulez-le avec précaution. Ne le laissez pas tomber.

- MONTAGE DE L’APPAREIL (Fig. 2)**
  - Vérifiez que la valve (2) est bien fermée (tournez-la complètement dans le sens des aiguilles d’une montre.)
  - Lors du raccordement de la valve et de la cartouche de GPL (3), maintenez cette dernière en position verticale.
  - Branchez la valve avec précaution sur la cartouche de GPL. Évitez d’endommager les filetages. Serrez jusqu’à ce que le joint torique de la valve soit en contact avec la cartouche de GPL. Serrez à la main uniquement.
  - Vérifiez que la connexion est bien étanche. Recherchez des fuites éventuelles à l’air libre. Utilisez de l’eau savonneuse ou un autre liquide similaire. N’utilisez jamais des flammes nues pour rechercher des fuites. Avec de l’eau savonneuse, la fuite se manifeste par de petites bulles à l’endroit incriminé. En cas de doute, ou si vous pouvez entendre ou sentir le gaz, évitez d’allumer l’appareil. Retirez la cartouche de GPL et contactez votre distributeur Primus local.

- Avec les casseroles EtaPower (Fig.2)**
  - Placer le pare-vent (5) au-dessus de l’élément de combustion (4) et le faire pivoter d’un quart de tour afin qu’il s’enclenche sous l’attache du plateau inférieur (6). **Pare-vent à utiliser uniquement avec La casserole Eta!**
  - Tourner les supports de récipient (7).
  - Le réchaud est maintenant prêt à être utilisé.
- Avec une poêle ou des casseroles plus larges (Fig.3)**

IMPORTANT! Lors de l’utilisation de poêles ou de casseroles plus larges que l’EtaPower™ Pot 2.1L, le paravent (5) ne doit pas être utilisé!

  - Placer l’élément de combustion (4) en position basse et s’assurer qu’il tient bien en place.
  - Relever les supports de récipient (7) et s’assurer qu’ils retombent complètement.
  - Le réchaud est maintenant prêt à être utilisé.

- UTILISATION DE L’APPAREIL (Fig. 2)**
  - Vérifiez que le tuyau est bien déplié vers la cartouche de gaz. Maintenez la cartouche de gaz éloignée de la chaleur générée par le réchaud en fonctionnement.
  - Tourner le bouton de réglage (2) dans le sens inverse des** aiguilles d’une montre et allumer le brûleur (8) immédiatement en appuyant sur le bouton d’allumage. Ajuster la flamme en tournant le bouton de réglage (2).
  - Une fois allumé, le réchaud doit rester le plus possible à l’horizontale et il faut éviter de le transporter d’un endroit à un autre.** Le réchaud peut prendre feu si on le transporte alors qu’il est allumé.
  - Veillez à éteindre complètement le réchaud après vous en être servi. Pour ce faire, tournez le bouton de la valve dans le sens des aiguilles d’une montre jusqu’à ce qu’il se bloque. Il se peut que vous constatiez un certain délai entre la fermeture de la valve et l’extinction du brûleur.
  - La distance à respecter avec des matériaux inflammables (toit ou murs) doit être au minimum de 500 mm. Sinon, il y a risque d’incendie.
  - Si le réchaud est utilisé par vent fort, il doit être placé de manière à ce que la prise d’air (13) de l’élément de combustion soit face au vent.
  - Si plusieurs plats doivent être préparés ou si les aliments doivent rester dans le récipient directement après la cuisson, celui-ci peut sans problèmes être placé dans le sac de rangement isolant pendant ce temps.

<b>CONSEIL<span> </span>:</b> L’efficacité du réchaud par temps froid peut se voir affectée par divers facteurs, mais il existe diverses manières d’y remédier.
Facteurs susceptibles d’influencer de façon négative l’efficacité du réchaud <span> </span> : <ul style="list-style-type: none"><li>- <b>Le mélange de gaz dans la cartouche (propane/iso-butane/butane)</b></li> <li>- <b>La quantité de gaz présente dans la cartouche</b></li> <li>- <b>La température ambiante</b></li> <li>- <b>La température de la cartouche de gaz</b></li></ul>

Mesures susceptibles d’améliorer le fonctionnement du réchaud par temps froid :

- **Réchauffer la cartouche de gaz avec les mains ou en la plaçant sous ses vêtements.**

- CHANGEMENT DE LA CARTOUCHE DE GAZ PL**
  - Refermez la valve de la cartouche de GPL en tournant le bouton (2) dans le sens des aiguilles d’une montre jusqu’à ce qu’il se bloque. Vérifiez que le réchaud est éteint et qu’aucune autre flamme nue ou source de chaleur n’existe dans les environs. Transportez le réchaud à l’air libre et dévissez la valve de la cartouche de GPL. Changez le joint torique de la valve s’il est usé ou endommagé. Branchez la valve conformément aux instructions des points 4.3 et 4.4.
- ENTRETIEN (Fig. 5)**
  - Si le réchaud ne s’allume pas ou fonctionne avec une efficacité réduite malgré la présence de combustible dans la cartouche de gaz, il se peut que l’embout du gicleur soit obstrué.

**Nettoyage de l’embout du gicleur**  
Fermez complètement le bouton de réglage (2) et dévissez la cartouche de gaz PL (3).

- Comprimer le support de brûleur maintenu par ressort (10) et retirer le brûleur.
- Dévisser la vis d’arrêt (14) sur le mitigeur (12) et retirer la résistance de chauffage (11).
- Dévisser le gicleur (9) avec une clé à fourche de 8 mm.
- Nettoyez le gicleur.
- Remplacez le gicleur dans le tube et serrez-le délicatement. Évitez de trop serrer. Vérifiez l’étanchéité avec de l’eau savonneuse ou un autre liquide similaire.
- Placer la résistance de chauffage dans le mitigeur (12), fixer-la avec la vis d’arrêt (14) et replacer ensuite fermement le support de brûleur (10).

- INSPECTION ET ENTRETIEN**
  - Vérifiez systématiquement que les joints sont bien à leur place et qu’ils sont en bon état. **Effectuez cet examen à chaque** fois que vous montez l’appareil. **Changez les joints s’ils sont** endommagés ou usés. **Pour obtenir de nouveaux joints,** adressez-vous au distributeur Primus le plus proche de votre lieu de résidence.
- ENTRETIEN ET RÉPARATION**
  - Si ces instructions ne suffisent pas à résoudre les problèmes rencontrés, vous devez porter l’appareil au distributeur Primus le plus proche de votre lieu de résidence.
  - N’essayez jamais d’effectuer un travail d’entretien ou de réparation différent de ceux exposés dans le présent document. Abstenez-vous de modifier l’appareil car son emploi pourrait alors s’avérer dangereux.
  - Ce réchaud a été homologué pour une utilisation avec un tuyau d’origine. Évitez par conséquent d’en changer pour un tuyau **AUTRE** qu’un tuyau d’origine 732910.

- PIÈCES DE RECHANGE ET ACCESSOIRES**
  - Utilisez uniquement des pièces de rechange et accessoires Primus d’origine. Faites attention lors du montage des pièces de rechange et accessoires et évitez de toucher les parties brûlantes.
  - Utilisez uniquement les cartouches de gaz PRIMUS PowerGas 2202, 2206 et 2207 (mélange de propane/iso-butane/butane) avec cet appareil.
  - Pièces de rechange

733950	Embout-gicleur 0,32 mm
732440	Joint torique
732910	Tuyau avec valve
733960	Allumeur piézo-électrique avec support
  - En cas de difficultés **pour obtenir des pièces de rechange** ou accessoires, contactez votre distributeur Primus local. Consultez le site suivant : [www.primus.se](http://www.primus.se)

- 5. UTILISATION DE L’APPAREIL (Fig. 2)**
  - Vérifiez que le tuyau est bien déplié vers la cartouche de gaz. Maintenez la cartouche de gaz éloignée de la chaleur générée par le réchaud en fonctionnement.
  - Tourner le bouton de réglage (2) dans le sens inverse des** aiguilles d’une montre et allumer le brûleur (8) immédiatement en appuyant sur le bouton d’allumage. Ajuster la flamme en tournant le bouton de réglage (2).
  - Une fois allumé, le réchaud doit rester le plus possible à l’horizontale et il faut éviter de le transporter d’un endroit à un autre.** Le réchaud peut prendre feu si on le transporte alors qu’il est allumé.
  - Veillez à éteindre complètement le réchaud après vous en être servi. Pour ce faire, tournez le bouton de la valve dans le sens des aiguilles d’une montre jusqu’à ce qu’il se bloque. Il se peut que vous constatiez un certain délai entre la fermeture de la valve et l’extinction du brûleur.
  - La distance à respecter avec des matériaux inflammables (toit ou murs) doit être au minimum de 500 mm. Sinon, il y a risque d’incendie.
  - Si le réchaud est utilisé par vent fort, il doit être placé de manière à ce que la prise d’air (13) de l’élément de combustion soit face au vent.
  - Si plusieurs plats doivent être préparés ou si les aliments doivent rester dans le récipient directement après la cuisson, celui-ci peut sans problèmes être placé dans le sac de rangement isolant pendant ce temps.
- CONSEIL :** L’efficacité du réchaud par temps froid peut se voir affectée par divers facteurs, mais il existe diverses manières d’y remédier.
- Facteurs susceptibles d’influencer de façon négative l’efficacité du réchaud :
  - **Le mélange de gaz dans la cartouche (propane/iso-butane/butane)**
  - **La quantité de gaz présente dans la cartouche**
  - **La température ambiante**
  - **La température de la cartouche de gaz**
- Mesures susceptibles d’améliorer le fonctionnement du réchaud par temps froid :
  - **Réchauffer la cartouche de gaz avec les mains ou en la plaçant sous ses vêtements.**
- RECOMMANDACIONES PARA UN USO SEGURO (Fig. 1)**
  - Antes de realizar la conexión, asegúrese de que las juntas (1) del aparato estén instaladas en el sitio correcto y que se encuentren en buen estado.
  - Este aparato sólo debe utilizarse al aire libre. Para evitar situaciones de peligro de muerte, **NO** utilice ni encienda el aparato en lugares mal ventilados, en interiores, dentro de una tienda, dentro de un vehículo o en otros espacios cerrados. Asegúrese de que no haya objetos combustibles cerca del aparato, como se indica en el punto 5.5.
  - Al conectar y cambiar el cartucho de gas, hágalo al aire libre en un lugar seguro, lejos de posibles fuentes de ignición tales como llamas, llamas piloto o una estufa eléctrica. Evite cambiar o conectar el cartucho de gas en lugares donde haya mucha gente.
  - Si detecta una fuga en el aparato (olor a gas), llévelo inmediatamente a un lugar bien ventilado al aire libre, lejos de posibles fuentes de ignición, donde pueda comprobar y detener la fuga. La comprobación de fugas sólo debe realizarse al aire libre. La comprobación de fugas nunca debe realizarse con una llama. Utilice agua jabonosa u otro líquido similar.
  - Nunca utilice un aparato cuyas juntas estén dañadas o desgastadas; tampoco utilice un aparato que tenga fugas, que esté dañado o que no funcione bien.
  - Nunca deje el hornillo encendido sin vigilancia.
  - Asegúrese de no calentar excesivamente las cacerolas de modo que no queden sin líquido en su interior.
- MANIPULACIÓN DEL APARATO**
  - No toque las partes calientes del aparato mientras está en funcionamiento o inmediatamente después de usarlo. Almacenamiento: desconecte siempre el cartucho de gas cuando el aparato no esté en uso. Guarde el cartucho en un lugar seco y seguro, lejos de fuentes de calor. Evite exponerlo a la luz directa del sol.
  - Utilice el aparato solamente para el fin que ha sido diseñado.
  - Manipule cuidadosamente el aparato. No lo deje caer.
- MONTAJE DEL APARATO (Fig. 2)**
  - Asegúrese de que la válvula (2) está cerrada (gírela completamente en el sentido de las agujas del reloj).
  - Al conectar el cartucho de gas (3) a la válvula, manténgalo en posición vertical.
  - Conecte la válvula cuidadosamente al cartucho de gas. Evite dañar las rosas. Apriete hasta que la junta tórica de la válvula haga contacto con el cartucho de gas. Apriete sólo con fuerza manual.
  - Asegúrese de que la conexión sea estanca. Compruebe eventuales fugas al aire libre. Utilice agua jabonosa u otro líquido similar. Nunca utilice llamas para comprobar fugas. Cuando se utiliza agua jabonosa para la comprobación, la fuga se manifiesta como pequeñas burbujas en el lugar de la fuga. Si no está seguro o si puede oír u oler el gas, no encienda el aparato. Desconecte el cartucho de gas y póngase en contacto con el distribuidor Primus local.
  - Coloque el paraviento (5) sobre la sección del quemador (4) y gírelo un cuarto de vuelta de modo que quede asegurado a los soportes (6) bajo la placa inferior.
  - Gire los soportes de cocción (7) hacia arriba.
  - El hornillo está ahora listo para utilizarse.
- Con cacerolas EtaPower (Fig. 2)**  
Con una sartén o cacerolas más grandes (Fig. 3)  
¡IMPORTANTE! Al utilizar una sartén o cacerolas de tamaño mayor que el de EtaPower™ Pot 2.1L, ¡no se debe utilizar el paraviento (5)!
- Coloque la sección del quemador (4) sobre la base y asegúrese de que quede estable.
- Despliegue los soportes de cocción (7), asegurándose de extenderlos completamente.

<b>ES</b>	<b>3510 PRIMUS EtaPower™ EF COCINA</b>
	INSTRUCCIONES DE USO

**IMPORTANTE:** Lea cuidadosamente estas instrucciones antes de conectar el aparato al cartucho de gas; consúlte las periódicamente para mantenerse familiarizado con el funcionamiento del hornillo de gas. Conserve estas instrucciones para futuras consultas. Tenga presente que hacer caso omiso de estas instrucciones puede causar lesiones graves e incluso la muerte.

**ADVERTENCIA:** Este aparato consume oxígeno y produce monóxido de carbono. Para evitar situaciones de peligro de muerte, **NO** utilice ni encienda el aparato en lugares mal ventilados, en interiores, dentro de una tienda, dentro de un vehículo o en otros espacios cerrados.

**¡SÓLO PARA USO AL AIRE LIBRE!**

**NUNCA** cubra el hornillo y el cartucho de gas con un paraviento, piedras u otros objetos similares que puedan causar el recalentamiento del hornillo y del cartucho de gas o dañarlos de alguna otra forma. El recalentamiento del cartucho de gas de la forma antes descrita constituye un peligro de muerte. Utilice el paraviento suministrado con el hornillo.

- INTRODUCCIÓN**
  - Este aparato está diseñado para utilizarse con los cartuchos de gas PRIMUS PowerGas (mezcla de propano/isobutano/ butano) 2202, 2206 y 2207.
  - Utilice cartuchos de gas Primus. Puede ser peligroso conectar el aparato a cartuchos de gas de otro tipo.
  - Consumo de gas 160 g/h / 7510 BTU/h / aprox. 2,2 kW a una presión de gas de 1 bar.
  - Tamaño de tobera: 0,32 mm, 733950.
  - El aparato cumple los requisitos de las normas EN 521 y ANSI Z21.72b-2002/CSA11.2b-2002.
  - Evite que la manguera se dañe. Asegúrese de que la **MANGUERA NO SE TUERZA**.

- RECOMENDACIONES PARA UN USO SEGURO (Fig. 1)**
  - Antes de realizar la conexión, asegúrese de que las juntas (1) del aparato estén instaladas en el sitio correcto y que se encuentren en buen estado.
  - Este aparato sólo debe utilizarse al aire libre. Para evitar situaciones de peligro de muerte, **NO** utilice ni encienda el aparato en lugares mal ventilados, en interiores, dentro de una tienda, dentro de un vehículo o en otros espacios cerrados. Asegúrese de que no haya objetos combustibles cerca del aparato, como se indica en el punto 5.5.
  - Al conectar y cambiar el cartucho de gas, hágalo al aire libre en un lugar seguro, lejos de posibles fuentes de ignición tales como llamas, llamas piloto o una estufa eléctrica. Evite cambiar o conectar el cartucho de gas en lugares donde haya mucha gente.
  - Si detecta una fuga en el aparato (olor a gas), llévelo inmediatamente a un lugar bien ventilado al aire libre, lejos de posibles fuentes de ignición, donde pueda comprobar y detener la fuga. La comprobación de fugas sólo debe realizarse al aire libre. La comprobación de fugas nunca debe realizarse con una llama. Utilice agua jabonosa u otro líquido similar.
  - Nunca utilice un aparato cuyas juntas estén dañadas o desgastadas; tampoco utilice un aparato que tenga fugas, que esté dañado o que no funcione bien.
  - Nunca deje el hornillo encendido sin vigilancia.
  - Asegúrese de no calentar excesivamente las cacerolas de modo que no queden sin líquido en su interior.

- MANIPULACIÓN DEL APARATO**
  - No toque las partes calientes del aparato mientras está en funcionamiento o inmediatamente después de usarlo. Almacenamiento: desconecte siempre el cartucho de gas cuando el aparato no esté en uso. Guarde el cartucho en un lugar seco y seguro, lejos de fuentes de calor. Evite exponerlo a la luz directa del sol.
  - Utilice el aparato solamente para el fin que ha sido diseñado.
  - Manipule cuidadosamente el aparato. No lo deje caer.

- MONTAJE DEL APARATO (Fig. 2)**
  - Asegúrese de que la válvula (2) está cerrada (gírela completamente en el sentido de las agujas del reloj).
  - Al conectar el cartucho de gas (3) a la válvula, manténgalo en posición vertical.
  - Conecte la válvula cuidadosamente al cartucho de gas. Evite dañar las rosas. Apriete hasta que la junta tórica de la válvula haga contacto con el cartucho de gas. Apriete sólo con fuerza manual.
  - Asegúrese de que la conexión sea estanca. Compruebe eventuales fugas al aire libre. Utilice agua jabonosa u otro líquido similar. Nunca utilice llamas para comprobar fugas. Cuando se utiliza agua jabonosa para la comprobación, la fuga se manifiesta como pequeñas burbujas en el lugar de la fuga. Si no está seguro o si puede oír u oler el gas, no encienda el aparato. Desconecte el cartucho de gas y póngase en contacto con el distribuidor Primus local.
  - Coloque el paraviento (5) sobre la sección del quemador (4) y gírelo un cuarto de vuelta de modo que quede asegurado a los soportes (6) bajo la placa inferior.
  - Gire los soportes de cocción (7) hacia arriba.
  - El hornillo está ahora listo para utilizarse.
- Con una sartén o cacerolas más grandes (Fig. 3)**  
¡IMPORTANTE! Al utilizar una sartén o cacerolas de tamaño mayor que el de EtaPower™ Pot 2.1L, ¡no se debe utilizar el paraviento (5)!
- Coloque la sección del quemador (4) sobre la base y asegúrese de que quede estable.
- Despliegue los soportes de cocción (7), asegurándose de extenderlos completamente.

- El hornillo está ahora listo para utilizarse.

- USO DEL APARATO (Fig. 2)**
  - Asegúrese de que la manguera quede completamente extendida hacia el cartucho de gas. Mantenga el cartucho de gas alejado del calor que el hornillo genera durante su funcionamiento.
  - Gire el botón de regulación en el sentido contrario a las agujas del reloj (2) y encienda el quemador (8) inmediatamente presionando el botón de encendido. Para regular la intensidad de la llama, gire el botón de regulación (2)..
  - Mientras está encendido, el hornillo debe permanecer lo más nivelado posible y no debe trasladarse de un lugar a otro. El hornillo puede inflamarse si se traslada mientras está en funcionamiento.
  - Asegúrese de apagar por completo el hornillo después de usarlo; para ello, gire el botón de la válvula en el sentido de las agujas del reloj hasta que se detenga. Puede haber un cierto retardo desde que se cierra la válvula hasta que el quemador se apaga.
  - La distancia a materiales combustibles en el techo y las paredes debe ser de al menos 500 mm; de lo contrario, puede ocurrir un incendio.
  - Si utiliza el hornillo en condiciones de viento fuerte, debe situarlo en una posición en que la toma de aire (13) de la sección del quemador quede contra el viento.
  - Si va a preparar varios platos, o si desea poder coger el recipiente inmediatamente después de preparar la comida, puede colocar el recipiente en la bolsa de almacenamiento isotérmica.

**SUGERENCIA** La potencia del hornillo en condiciones de frío puede verse afectada por distintos factores, pero existen diversas formas de solucionar este problema.

Factores que afectan la potencia del hornillo:

- **La mezcla de gas del cartucho (propano/isobutano/butano)**
- La cantidad de gas que hay en el cartucho
- La temperatura ambiente
- La temperatura del cartucho de gas

Medidas para mejorar el funcionamiento del hornillo en condiciones de frío:

- **Caliente el cartucho de gas con las manos o bajo la ropa.**

- CAMBIO DEL CARTUCHO DE GAS**
  - Cierre la válvula del cartucho de gas girando el botón (2) en el sentido de las agujas del reloj hasta que se detenga. Asegúrese de que el hornillo se ha apagado y que no haya ninguna otra llama o fuente de ignición cerca. Lleve el hornillo al aire libre y desatornille la válvula del cartucho de gas. Sustituya la junta tórica de la válvula si está desgastada o dañada. Conecte la válvula como se indica en los puntos 4.3 y 4.4.

**7. MANTENIMIENTO (Fig. 5)**

- Si el hornillo no se enciende o funciona con baja potencia a pesar de que hay combustible en el cartucho de gas, es posible que la tobera esté obstruida.
- Limpieza de la tobera**  
Cierre completamente el botón de regulación (2) y desatornille el cartucho de gas (3).
- Presione el soporte de quemador accionado por resorte (10) y desmonte el quemador.
- Aloje el tornillo de fijación (14) del tubo de mezcla (12) y, a continuación, retire la espiral de precalentamiento (11).
- Desatornille la tobera (9) con una llave fija de 8 mm.
- Limpie la tobera.
- Instale la tobera en el tubo y apriétela cuidadosamente. No la apriete demasiado. Compruebe la estanqueidad con agua jabonosa u otro líquido similar.
- Instale la espiral de precalentamiento en el tubo de mezcla (12), asegúrela con el tornillo de fijación (14) y, a continuación, asegure el soporte del quemador (10).

- MANUSEAR O APARELHO**
  - Não toque nas partes quentes do aparelho durante ou logo após a sua utilização.
  - Armazenamento: retire sempre a garrafa de gás do aparelho quando este não estiver a ser utilizado. Mantenha a garrafa num local seco e seguro, onde não existam fontes de calor. Evite a radiação solar.
  - Não utilize o aparelho de forma incorrecta nem para outros fins que não aqueles para os quais foi destinado.
  - Manuseie o aparelho cuidadosamente. Não o deixe cair.

- MANTENIMIENTO Y REPARACIÓN**
  - Si no puede solucionar eventuales problemas siguiendo estas instrucciones, deberá llevar el aparato al distribuidor Primus más cercano.
  - Nunca intente realizar un trabajo de mantenimiento o reparación distinto de los que aquí se describen.
  - No modifique el aparato, ya que esto puede ser peligroso.
  - El hornillo ha sido aprobado con la manguera que viene montada de fábrica; la manguera **SÓLO** puede sustituirse por una manguera original 732910.

- PIEZAS DE REPUESTO Y ACCESORIOS**
  - Utilice solamente piezas de repuesto y accesorios Primus originales. Tenga cuidado al montar las piezas de repuesto y accesorios y evite tocar las partes calientes.
  - Utilice solamente los cartuchos de gas PRIMUS PowerGas 2202, 2206 y 2207 (mezcla de propano/isobutano/butano) con este aparato.
  - Piezas de repuesto

733950	Tobera 0,32 mm
732440	Junta tórica
732910	Manguera con válvula
733960	Encendedor piezoeléctrico con soporte
  - Si tiene dificultades para conseguir repuestos o accesorios, póngase en contacto con el distribuidor Primus local. Visite [www.primus.se](http://www.primus.se)

<b>PT</b>	<b>3510 PRIMUS EtaPower™ EF-FOGÃO</b>
	MODO DE EMPREGO

**IMPORTANTE:** leia atentamente estas instruções antes de ligar o aparelho à garrafa de gás e consulte regularmente as instruções para se familiarizar com o funcionamento do aparelho. Guarde estas instruções para futura consulta. Se as não respeitar, pode incorrer em lesões graves, e até mortais!

**AVISO:** Este aparelho consome oxigénio e produz dióxido de carbono. Para evitar situações de perigo extremo, NÃO utilize ou acenda este aparelho em locais não ventilados, dentro de casa, no interior de tendas, no interior de veículos ou outros espaços fechados.

**ESTE APARELHO DESTINA-SE A SER UTILIZADO APENAS NO EXTERIOR!**

**NUNCA** cubra o fogão e a botija de gás com um pára-vento, pedras, ou objectos semelhantes, que possam levar ao sobreaquecimento ou provocar outros danos no fogão e na botija de gás. Aumentar a temperatura da botija de gás PL desta forma pode ter consequências muito graves. Use o pára-vento fornecido com o fogão.

- INTRODUÇÃO**
  - Este aparelho destina-se às botijas de gás PRIMUS PowerGas (Mistura de Propano/Isobutano/Butano) 2202, 2206 e 2207.
  - Utilize garrafas de gás Primus LP. A ligação deste aparelho a outros tipos de garrafas de gás pode envolver riscos.
  - Consumo de gás 160 g/h /7510 BTU/h / aprox. 2.2 kW com a pressão de gás de 1 bar.
  - Dimensão do jacto: 0.32 mm, 733950.
  - Este aparelho cumpre os requisitos de acordo com EN 521 e ANSI Z21.72b-2002/CSA11.2b-2002.
  - Evite submeter a mangueira a esforço desnecessário. Certifique-se que a mangueira não fique torcida.

- RECOMENDAÇÕES PARA UMA UTILIZAÇÃO SEGURA (Fig. 1)**
  - Certifique-se que as juntas de vedação do aparelho

4.9 De pandragers (7) uitklappen en erop letten dat deze volledig zijn uitgeklapt.

4.10 Het kookstel is nu gereed voor gebruik.

### 5. GEBRUIK (AFBEELDING 2)

5.1 Zorg ervoor dat u de slang volledig naar de gasfles uittrekt. Houd de gasfles uit de buurt van de hitte die vrijkomt als het kookstel wordt gebruikt.

5.2 Tegen de wijzers van de klok in aan de regelaar (2) draaien en de brander (8) ontsteken door te drukken op de elektrische ontsteking. De vlam justeren door aan de regelaar (2) te draaien.

5.3 Als het kookstel naar wens brandt, houdt u het zo recht mogelijk en verplaatst u niet het. Als u het kookstel verplaatst terwijl het brandt, kan de vlam oplaaien.

5.4 Zorg ervoor dat het kookstel na gebruik geheel uit is, door de knop van de klep zo ver mogelijk met de klok mee te draaien. Het duurt even voordat de brander uitgaat nadat u de klep hebt dichtgedraaid.

5.5 De afstand tot brandbare materialen in plafond en muren moet ten minste 500 mm zijn, zodat deze **NIET** kunnen worden aangestoken.

5.6 Indien het kooktoestel bij harde wind gebruikt wordt, moet het zo worden geplaatst dat de luchtinlaat van de brander (13) tegen de wind in gedraaid wort.

5.7 Indien u meerdere gerechten wilt koken, of indien u de pan meteen na het koken wilt steunen, kunt u de pan in de geïsoleerde opberggas bewaren.

**ADVIES:** als u gas bij koud weer gebruikt, wordt dit beïnvloed door een aantal factoren waarvoor u een aantal maatregelen kunt nemen.

Factoren die van invloed zijn op de efficiëntie van het kookstel:

- Het gasmengsel in de gasfles (propaan/isobutaan/butaan)
- De hoeveelhed gas in de gasfles
- De omgevingstemperatuur
- De temperatuur van de gasfles

Maatregelen voor het verbeteren van het functioneren bij koud weer:

- Verwarm de gasfles met uw handen of onder kleding.

### 6. DE GASFLES VERVERGEN

6.1 Sluit de klep van de gasfles door de knop (2) zo ver mogelijk met de klok mee te draaien. Let erop dat het kookstel uitgaat en dat er geen ander open vuur en geen ontstekingsbron in de buurt is. Zet het kookstel in de buitenlucht en schroef de klep van de gasfles. Vervang de o-ring van de klep als deze versleten of beschadigd is. Sluit de klep aan volgens 4.3 en 4.4.

### 7. ONDERHOUD (AFBEELDING 5)

7.1 Als het kookstel niet of minder hard brandt terwijl de gasfles wel brandstof bevat, kan de pit verstopt zijn.

#### De pit schoonmaken

Sluit de controleknop (2) volledig en schroef de gasfles (3) los.

7.3 De branderhouder met veerretour (10) samendrukken en de brander loshalen.

7.4 De klemschroef (14) op de mengbuis (12) losmaken en de voorwaarmuis (11) eruit draaien.

7.5 Mondstuk (9) met een 8 mm u-sleutel losschroeven.
7.7 Breng de pit op de pijp aan en maak lekvrj door deze zorgvuldig vast te draaien. Draai niet te hard vast. Controleer op lekken met bijvoorbeeld zeepwater.

7.8 De voorwaarmuis in de mengbuis (12) plaatsen, met de klemschroef (14) vastmaken en vervolgens de branderhouder (10) weer vastmaken.

### 8. CONTROLE EN ONDERHOUD

8.1 Zorg er altijd voor dat de verbindingen op de juiste plaats en in goede conditie zijn. Controleer hierop elke keer dat het apparaat in elkaar wordt gezet. Vervang de verbindingen als deze beschadigd of versleten zijn. Nieuwe verbindingen koopt u bij de dichtstbijzijnde Primus-verkoper.

### 9. ONDERHOUD EN REPARATIE

9.1 Als het niet mogelijk is een storing aan de hand van de gebruiksaanwijzing op te lossen, brengt u het apparaat terug naar de dichtstbijzijnde Primus-verkoper.

9.2 Probeer nooit ander onderhoud of andere reparaties uit te voeren dan hierin beschreven.

9.3 Breng nooit wijzigingen aan de apparatuur aan. Het apparaat kan dan gevaarlijk in gebruik zijn.

9.4 Het kookstel is goedgekeurd met een in de fabriek aangebrachte slang. Deze slang mag **NIET** worden vervangen door een andere dan een echte 732910.

### 10. RESERVEONDERDELEN EN ACCESSOIRES

10.1 Gebruik alleen reserveonderdelen en accessoires van Primus. Kijk uit bij het aanbrengen van reserveonderdelen en accessoires en raak geen hete onderdelen aan.

10.2 Gebruik voor dit apparaat alleen de gasflessen PRIMUS PowerGas 2202, 2206 en 2207 (propaan/isobutaan/butaan-mix).

10.3 Reserveonderdelen

733950	Pit 0,32 mm
732440	O-ring
732910	Slang met klep
733960	Piëzo-elektrische ontsteking met houder

10.4 Neem contact op met de plaatselijke Primus-distributeur als u problemen hebt bij het verkrijgen van reserveonderdelen of accessoires. Ga naar [www.primus.se](http://www.primus.se).

## IT 3510 PRIMUS EtaPower™ EF FORNELLO

## ISTRUZIONI PER L’USO

**IMPORTANTE:** Leggere attentamente le istruzioni prima di connettere il dispositivo a gas al serbatoio del gas, quindi, consultare regolarmente queste istruzioni in modo da ricordare il funzionamento del dispositivo a gas. Conservare queste istruzioni per utilizzi futuri: Il mancato rispetto delle presenti istruzioni può causare lesioni personali gravi o morte!

**AVVERTENZE:** Questo dispositivo consuma ossigeno e produce biossido di carbonio. Per evitare condizioni di pericolo estremo, **NON** utilizzare o accendere questo dispositivo in luoghi non ventilati, chiusi, all’interno di una tenda, in un veicolo o altri spazi chiusi.

#### SOLO PER UTILIZZO ALL’APERTO!

Non coprire **MAI** la stufa e il serbatoio del gas con un paravento, pietre o simili, onde evitare il surriscaldamento con conseguente danneggiamento della stufa e del serbatoio del gas. Il surriscaldamento del serbatoio del gas è estremamente pericoloso. Utilizzare il paravento in dotazione con la stufa.

### 1. INTRODUZIONE

1.1 Questo dispositivo è appositamente concepito per PRIMUS PowerGas (Propano/Isobutano/Butano mix) 2202, 2206 e 2207.

1.2 Utilizzare le bombole di Primus gas. L’eventuale collegamento di questo dispositivo ad altri tipi di bombole può provocare rischi.

1.3 Il dispositivo consuma Gas 160 g/h / 7510 BTU/h / ca.2.2 Kw ad 1 bar di pressione del gas.

1.4 Dimensione del jet: 0.32 mm, 733950.

1.5 Il dispositivo soddisfa i requisiti di cui alla norma EN 521 e ANSI Z21.72b-2002/CSA11.2b- 2002.

1.6 Evitare un’eventuale usura del tubo. Assicurarsi che il **TUBO FISSO NON VENGA RITORTO.**

### 2. SUGGERIMENTI PER UTILIZZO IN SICUREZZA (Fig.1)

2.1 Accertarsi che i sigilli dei giunti del dispositivo (1) siano in posizione corretta e in buone condizioni prima di ricordarli.
2.2 Questo dispositivo è esclusivamente concepito per un utilizzo esterno. Per evitare condizioni di pericolo estreme, **NON** utilizzare o accendere questo dispositivo in luoghi non ventilati, in una tenda, in un veicolo o in altri spazi chiusi.

2.3 Assicurarsi che nessun oggetto infiammabile sia nelle vicinanze, come descritto all’articolo 5.5.

2.4 Quando si connette o si sostituisce la bombola di gas, è necessario seguire tali operazioni in un posto sicuro, all’aperto, lontano da fonti infiammabili come fiamme libere, fiamme pilota o riscaldatori elettrici. Evitare di sostituire o collegare la bombola di gas in luoghi affollati.

2.5 In caso di fuoriuscite di gas dal dispositivo (odore di gas) portare immediatamente in un luogo all’aperto ben ventilato, lontano da fonti infiammabili, onde verificare il punto di fuoriuscita del gas e bloccarlo. Il controllo della fuoriuscita può essere eseguito solo all’aperto. Il controllo della fuoriuscita non deve mai essere eseguito utilizzando fiamme libere. Utilizzare acqua saponata o simili.

2.6 Non utilizzare dispositivi danneggiati o con giunti mal sigillati, o dispositivi con perdite o mal funzionanti.

2.7 Non lasciare mai un dispositivo fuori posto.

2.8 Accertarsi che le casserole non bollano a secco.

### 3. MANEGGIARE IL DISPOSITIVO

3.1 Non toccare le parti calde del dispositivo durante o direttamente dopo l’uso.

3.2 Magazzinaggio: Svitare sempre la bombola di gas dal dispositivo in caso di mancato utilizzo del dispositivo. Conservare la bombola in un luogo asciutto, sicuro, privo di fonti di calore. Evitare l’esposizione diretta ai raggi solari.

3.3 Non utilizzare il dispositivo in maniera non appropriata e per scopi diversi da quelli per i quali è stato concepito.

3.4 Maneggiare il dispositivo con cura. Non farlo cadere.

### 4. ASSEMBLARE IL DISPOSITIVO (Fig2)

4.1 Assicurarsi che la valvola (2) sia chiusa (stringere al massimo in senso orario).

4.2 Mantenere la bombola di gas (3) in posizione eretta, durante il raccordo alla valvola.

4.3 Collegare attentamente la valvola alla bombola di gas. Assicurarsi che le viti non siano filettate. Stringere finché l’anello di tenuta toroidale della valvola sia correttamente inserito sulla bombola di gas. Stringere solo manualmente.

4.4 Assicurarsi che il collegamento sia perfettamente impermeabile. Controllare l’eventuale presenza di fuoriuscite di gas in luoghi aperti. Utilizzare acqua saponata o simili. Non utilizzare mai fiamme libere durante la ricerca. Se si utilizza acqua saponata, si potrà visualizzare qualunque fuoriuscita sottoforma di bolla nel punto in cui c’è perdita. In caso di dubbio, se si avverte odore di gas, non accendere il dispositivo. Svitare la bombola di gas e contattare il rivenditore locale Primus.
**Con recipienti EtaPower(Fig.2)**

4.5 Posizionare lo schermo per vento (5) sopra il bruciatore (4) e eseguire una torsione di un quarto di giro in modo da chiuderlo nell’alloggiamento sotto la base del pila piastra (6).

4.6 Serrare con torsione i supporti del recipiente (7) nel loro alloggiamento.

4.7 La stufa è ora pronta per l’uso.

**Con tegami da friggitura e grandi recipienti (fig. 3)**
**IMPORTANTE!** Durante l’utilizzo di un tegame o di recipienti piu grandi del recipiente EtaPower™ 2.1L, non utilizzare lo schermo vento (5)!

4.8 Posizionare il bruciatore (4) sulla base ed accertarsi che sia stabile.

4.9 Serrare i supporti del recipiente (7) nell’alloggiamento e assicurarsi che siano completamente estesi .

4.10 La stufa è ora pronta per l’uso.

### 5. UTILIZZO DEL DISPOSITIVO (Fig2)

5.1 Assicurarsi che il tubo flessibile sia completamente estratto dalla bombola di gas. In sede d’utilizzo, tenere la bombola di gas lontano da fonti di calore irradianti dalla stufa.

5.2 Girare la valvola del bruciatore in senso antiorario (2) e accendere il bruciatore (8) immediatamente, premendo il pulsante di accensione. Regolare la fiamma girando la valvola del bruciatore (2).

5.3 Quando la stufa è in funzione, mantenerla il più possibile immobile ed evitare eventuali spostamenti. Lo spostamento della stufa durante l’utilizzo può provocare l’apertura.

5.4 Assicurarsi che la stufa sia completamente spenta dopo l’ utilizzo, ruotando la manopola della valvola in senso orario fino a chiuderla completamente. Tra la chiusura della valvola e l’avvio del bruciatore, potrebbe trascorrere un piccolo lasso di tempo.

5.5 La distanza tra il materiale infiammabile e il soffitto o le pareti deve essere di almeno 500 mm. **IN CASO CONTRARIO** questi ultimi potrebbero incendiarsi.

5.6 Se la stufa è utilizzata in presenza di vento forte, deve essere situata in modo che l’aria di ingresso del bruciatore (13) sia girata di fronte al vento.

5.7 In caso di preparazione di parecchi piatti, o se si vuole tenere la pasta nel recipiente in posizione eretta dopo la cottura, la borsa impermeabilizzata di magazzinaggio è ideale come porta recipiente o per mantenere il recipiente caldo.

**SUGGERIMENTO!** L’utilizzo di gas quando fa freddo è soggetto a numerosi fattori ai quali è possibile porre rimedio, adottando una serie di misure correttive.

Fattori suscettibili di diminuire l’efficienza della stufa:
- La miscela del gas nella bombola di gas (propano/isobutano/ butano)
- La quantità di gas contenuta nella bombola
- La temperatura circostante
- La temperatura della bombola di gas

Misure suscettibili di migliorare il funzionamento quado fa freddo:
- Scaldare la bombola di gas con le mani o utilizzando i tessuti degli indumenti.

### 6. SOSTITUIRE LA BOMBOLA DEL GAS

6.1 Chiudere la valvola posta sulla bombola di gas, ruotando la manopola (2) in senso orario fino a fine corsa. Verificare il corretto funzionamento della stufa e l’assenza, nelle immediate vicinanze, di eventuali fiamme libere o fonti infiammabili.
Spostare la stufa all’aperto e svitare la valvola della bombola di gas. Sostituire l’anello di tenuta toroidale della valvola se usurato o danneggiato.
Connettere la valvola secondo le indicazioni fornite al punto 4.3 e 4.4.

### 7. MANUTENZIONE (Fig. 5)

7.1 Se la stufa non brucia, o brucia con potenza ridotta pur in presenza di carburante nella bombola di gas, l’ugello potrebbe essere bloccato.

#### Pulire dell’ugello

Chiudere completamente la valvola di controllo (2) e svitare la bombola di gas (3).

7.3 Stringere il porta bruciatore caricato a molla (10) e rimuovere il bruciatore

7.4 Allentare la vite del morsetto (14) sul tubo degli iniettori (12) e rimuovere la spirale di preriscaldamento (11).

7.5 Svitare il beccuccio del getto (9) con una chiave da 8 mm aperta.

7.6 Pulire l’ugello.
7.7 Montare l’ugello del condotto e verificare la presenza di fuoriuscite stringendo con cautela. Non stringere con eccessiva forza. Verificare l’eventuale presenza di fuoriuscite utilizzando acqua saponata o simili.

7.8 Posizionare la spirale di preriscaldamento nel tubo iniettore (12) serrarla con la vite del morsetto (14) e ricollegare il porta bruciatore (10).

### 8. CONTROLLO E MANUTENZIONE

8.1 Assicurarsi sempre che i giunti sigillati siano in posizione corretta ed in buone condizioni. Questo controllo dovrà essere eseguito per ogni assemblaggio del dispositivo. Sostituire i giunti, se gli stessi risultano usurati o danneggiati. I giunti nuovi sono disponibili presso il rivenditore Primus di fiducia.

### 9. SERVIZIO E RIPARAZIONE

9.1 Se malgrado le presenti istruzioni, non fosse possibile correggere un eventuale guasto, il dispositivo dovrà essere portato presso il più vicino rivenditore Primus.

9.2 Non effettuare interventi di manutenzione o riparazione diversi da quelli descritti nel presente documento.

9.3 Non alterare mai il dispositivo, onde evitare situazioni potenzialmente pericolose.

9.4 La stufa è stata approvata completa del tubo flessibile montato in fabbrica, quest’ultimo **NON** deve pertanto essere sostituito con un tubo diverso dall’originale 732910.

### 10. PEZZI DI RICAMBIO E ACCESSORI

10.1 Utilizzare solo pezzi di ricambio e accessori originali. Utilizzare la massima cura nell’assemblare pezzi di ricambio ed accessori ed evitare di toccare le parti calde.

10.2 Per questo dispositivo, utilizzare esclusivamente bombole di PRIMUS 2202, 2206 e 2207 (miscela di Propano/ isobutano/ Butano).

10.3 Pezzi di ricambio

733950	Diffusore 0.32 mm
732440	Anello di tenuta toroidale
732910	Ugello integrante la valvola
733960	Piezoelétrico con supporto

10.4 In caso di difficoltà nel reperire pezzi di ricambio o accessori, contattare il distributore locale Primus. Visitare [www.primus.se](http://www.primus.se)

## DE 3510 PRIMUS EtaPower™ EF KOCHER

## GEBRAUCHSANLEITUNG

**WICHTIG:** Lesen Sie diese Gebrauchsanweisung sorgfältig durch, bevor Sie den Gasapparat an die Gaskartusche anschließen, und studieren Sie die Gebrauchsanweisungen auch danach regelmäßig, um Ihre Kenntnisse hinsichtlich der Funktionen des Gasapparats aufzufrischen. Bewahren Sie diese Gebrauchsanweisung für einen zukünftigen Gebrauch: Sollten Sie diese Gebrauchsanweisung nicht befolgen, können ernsthafte Verletzungen und sogar Todesfälle die Folge sein!

**WARNUNG:** Dieser Apparat verbraucht Sauerstoff und produziert Kohlenmonoxid. Verwenden oder entzünden Sie diesen Apparat **NICHT** in unventilierten Räumen, im Haus, in einem Zelt, in einem Fahrzeug oder in anderen geschlossenen Räumen, da dies lebensgefährlich sein kann.

#### AUSSCHLIESSLICH ZUM GEBRAUCH IM FREIEN!

Decken Sie den Kocher und die Gaskartusche **NIEMALS** mit einem Windschutz, Steinen oder Ähnlichem ab, da dies Überhitzung und Beschädigungen an Kocher und Gaskartusche verursachen kann. Eine derartige Überhitzung der Gaskartusche ist lebensgefährlich. Verwenden Sie den zusammen mit dem Kocher gelieferten Windschutz.

### 1. EINLEITUNG

1.1 Dieser Apparat ist bestimmt für PRIMUS PowerGas (Propan/ Isobutan/Butanmix) 2202, 2206 und 2207.

1.2 Verwenden Sie Primus Gaskartuschen. Es kann gefährlich sein, diesen Apparat an andere Arten von Gaskartuschen anzuschließen.

1.3 Gasverbrauch 160 g/h / 7510 BTU/h / ca. 2,2 kW bei 1 bar Gasdruck.

1.4 Größe des Mundstücks: 0,32 mm, 733950.

1.5 Der Apparat erfüllt alle Anforderungen gemäß EN 521 und ANSI Z21.72b-2002/CSA11.2b-2002.

1.6 Vermeiden Sie eine Abnutzung des Schlauches. Achten Sie darauf, dass **DER SCHLAUCH SICH NICHT VERDREHT.**

### 2. TIPPS FÜR EINE SICHERE ANWENDUNG (Abb. 1)

2.1 Achten Sie darauf, dass die Dichtungen des Schlauchs (1) sich an der richtigen Stelle befinden und in gutem Zustand sind, bevor der Anschluss erfolgt.

2.2 Dieser Apparat ist ausschließlich für den Gebrauch im Freien bestimmt. Verwenden oder entzünden Sie diesen Apparat **NICHT** in unventilierten Räumen, im Haus, in einem Zelt, in einem Fahrzeug oder in einem anderen geschlossenen Raum, da dies lebensgefährlich sein kann.

2.3 Achten Sie darauf, dass sich kein brennbarer Gegenstand in der Nähe befindet, wie unter Punkt 5.5 beschrieben.
Der Anschluss oder Austausch der Gaskartusche sollte an einem sicheren Ort im Freien und nicht in der Nähe einer denkbaren Entzündungsquelle wie offenem Feuer, Pilotflamme oder Elektrokamin vorgenommen werden. Ein Anschluss oder Austausch der Gaskartusche in größeren Menschenansammlungen ist zu vermeiden.

2.5 Im Falle einer Undichtigkeit des Apparats (Gasgeruch) ist dieser unmittelbar an einen gut ventilierten Ort im Freien und nicht in der Nähe einer Entzündungsquelle zu stellen, an dem die undichte Stelle untersucht und geflickt werden kann. Die Kontrolle von Undichtigkeiten hat ausschließlich draußen zu erfolgen. Die Kontrolle von Undichtigkeiten hat niemals mit offenem Feuer zu erfolgen. Verwenden Sie Seifenwasser oder Ähnliches.

2.6 Verwenden Sie niemals einen Apparat mit beschädigten oder abgenutzten Dichtungen, und auch keinen undichten, beschädigten oder schlecht funktionierenden Apparat.

2.7 Lassen Sie einen brennenden Apparat niemals unbeaufsichtigt.

2.8 Achten Sie darauf, dass Kochtöpfe nicht trockenkochen.

### 3. UMGANG MIT DEM APPARAT

3.1 Kommen Sie während oder kurz nach dem Gebrauch nicht an die erhitzen Teile des Apparats.

3.2 Aufbewahrung: Schrauben Sie grundsätzlich die Gaskartusche vom Apparat, wenn Sie ihn nicht benutzen. Bewahren Sie die Kartusche an einem trockenen Ort ohne Wärmequellen. Vermeiden Sie direkte Sonneneinstrahlung.

3.3 Missbrauchen Sie den Apparat nicht oder verwenden Sie ihn nicht zu anderen als den vorgesehenen Zwecken.

3.4 Gehen Sie sorgsam mit dem Apparat um. Verlieren Sie ihn nicht.

### 4. DEN APPARAT ZUSAMMENBAU (Abb. 2)

4.1 Stellen Sie sicher, dass das Ventil (2) geschlossen ist (so weit es geht im Uhrzeigersinn).

4.2 Halten Sie die Gaskartusche (3) aufrecht, wenn Sie sie an das Ventil anschließen.

4.3 Schließen Sie das Ventil vorsichtig an die Gaskartusche an. Vermeiden Sie dabei eine Verkantung. Soweit anziehen, bis der O-Ring des Ventils an die Gaskartusche stößt. Nur mit Handkraft anziehen.

4.4 Stellen Sie sicher, dass die Verbindung gasdicht ist. Kontrollieren Sie eventuelle Undichtigkeiten im Freien. Verwenden Sie Seifenwasser oder Ähnliches. Verwenden Sie zur Kontrolle von Undichtigkeiten niemals offene Flammen. Im Seifenwasser steigen an der undichten Stelle kleine Bläschen auf. Entzünden Sie den Apparat niemals, wenn Sie sich unsicher sind, oder Sie Gas austreten hören oder riechen.

Schrauben Sie die Gaskartusche ab und wenden Sie sich an Ihren zuständigen Primus-Händler.
**Ersatzteile**
**Mit EtaPower Kochtöpfen (Fig.2)**

4.5 Den Windschutz (5) hinter dem Brennteil (4) platzieren und mit einer Vierteldrehung unter der Befestigung der Bodenplatte (6) befestigen.

4.6 Die Topfauflage (7) anbringen.

4.7 Der Kocher ist nun gebrauchsfertig.

**Mit Bratpfanne oder größeren Kochtöpfen (Abb.3)**

ACHTUNG! Bei Gebrauch einer Bratpfanne bzw. größerer Kochtöpfe als EtaPower™ Pot 2.1L, darf der Windschutz (5) grundsätzlich nicht benutzt werden!

4.8 Den Brennteil (4) auf der Unterlage platzieren und darauf achten, dass er stabil steht.

4.9 Die Topfauflage (7) ausklappen und darauf achten, dass sie vollständig ausgeklappt wurde.

4.10 Der Kocher ist nun gebrauchsfertig.

### 5. GEBRAUCH DES APPARATS (Abb. 2)

5.1 Achten Sie darauf, dass der Schlauch gerade zur Gaskartusche verläuft. Halten Sie die Gaskartusche fern von der Wärme, die der Kocher während des Betriebs abgibt.

5.2 Den Regler (2) entgegen dem Uhrzeigersinn drehen und den Brenner (8) durch Drücken des Zündknopfes sofort entzünden. Die Flamme durch Drehen des Reglers (2) einstellen.

5.3 **Während der Kocher brennt, sollte er möglichst eben stehen** und darf er nicht bewegt werden. **Wird der Kocher während des Betriebs bewegt**, kann es zu einer Entflammung kommen.

5.4 Achten Sie darauf, dass der Kocher nach dem Gebrauch vollkommen geschlossen wird, indem Sie so weit es geht im Uhrzeigersinn am Rädchen des Ventils drehen. Es kann eine gewisse Verzögerung zwischen dem Schließen des Ventils und dem Ausgehen des Kochers auftreten.

5.5 Der Mindestabstand zu brennbaren Materialien an der Decke oder an Wänden muss mindestens 500 mm betragen, **DAMIT KEIN** Feuer entstehen kann.

5.6 Sollte der Kocher bei starkem Wind angewendet werden, die Luftzufuhr des Brennteils (13) so platzieren, dass sie gegen den Winde gedreht wird.

5.7 Falls Sie mehrere Gerichte zubereiten, oder den Topf direkt nach dem Kochen festhalten möchten, können Sie ihn so lange in die isolierte Aufbewahrungstasche stellen.

**TIPPI!** Die Verwendung von Gas bei kaltem Wetter wird von mehreren Faktoren beeinflusst, die sich jedoch mit ein paar Maßnahmen vermeiden lassen.

Faktoren, die die Leistung des Kochers beeinflussen:
- Die **Gasmischung der Gaskartusche (Propan/Isobutan/Butan)**
- Die **Umgebe in der Kartusche**
- Die **Umgebungstemperatur**
- Die **Temperatur der Gaskartusche**

Maßnahmen zur Verbesserung der Funktion bei kaltem Wetter:
- **Wärmen Sie die Gaskartusche mit Ihren Händen oder unter Ihrer Kleidung.**

### 6. AUSTAUSCH DER GASKARTUSCHE

6.1 Schließen Sie das Ventil der Gaskartusche, indem Sie soweit wie möglich im Uhrzeigersinn an dem Rädchen (2) drehen. Achten Sie darauf, dass der Kocher aus ist, und dass sich kein(e) andere(s) offene(s) Flamme oder Feuer in der Nähe befindet. Stellen Sie den Kocher nach draußen und schrauben Sie das Ventil von der Gaskartusche. Tauschen Sie den O-Ring des Ventils aus, sollte dieser verschlissen oder beschädigt sein. Schließen Sie das Ventil gemäß den Punkten 4.3 und 4.4 an.

### 7. PFLEGE (Abb. 5)

7.1 Fall av läckage från apparaten (lukt av gas) placeras denna omedelbart på en väl ventilerad plats utomhus, ej i närheten av antändningskälla, där läckan kan undersökas och stoppas. Kontroll av läckage får endast ske utomhus. Kontroll av läckage får aldrig ske med öppen låga. Använd såpvatten eller liknande.





